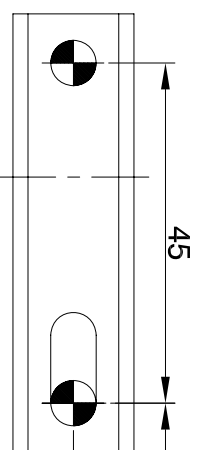
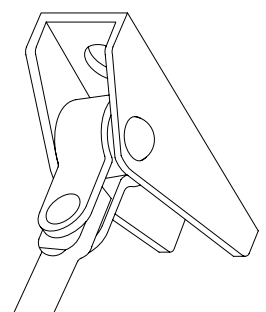


UNDERSIDE OF FRAME

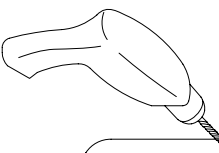


45

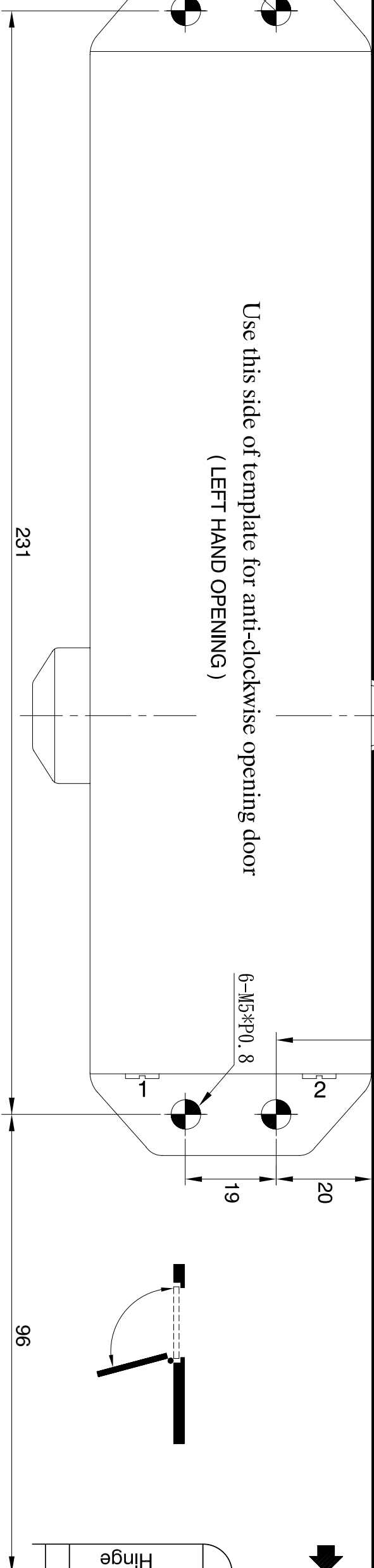
200

SET TO TOP OF DOOR

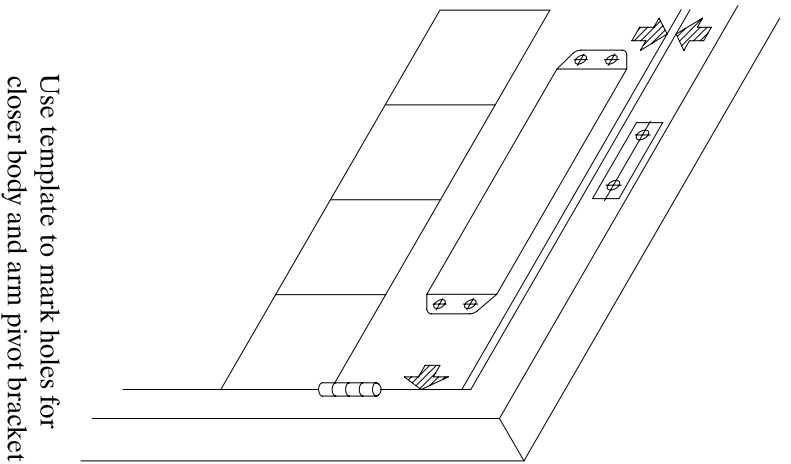
Φ4.2	Φ2.5
M5	



Use this side of template for anti-clockwise opening door
(LEFT HAND OPENING)

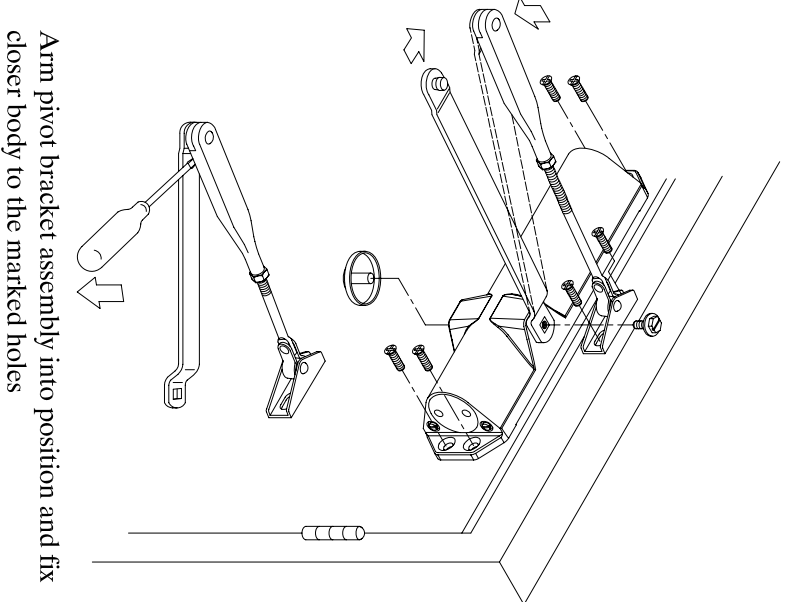


1



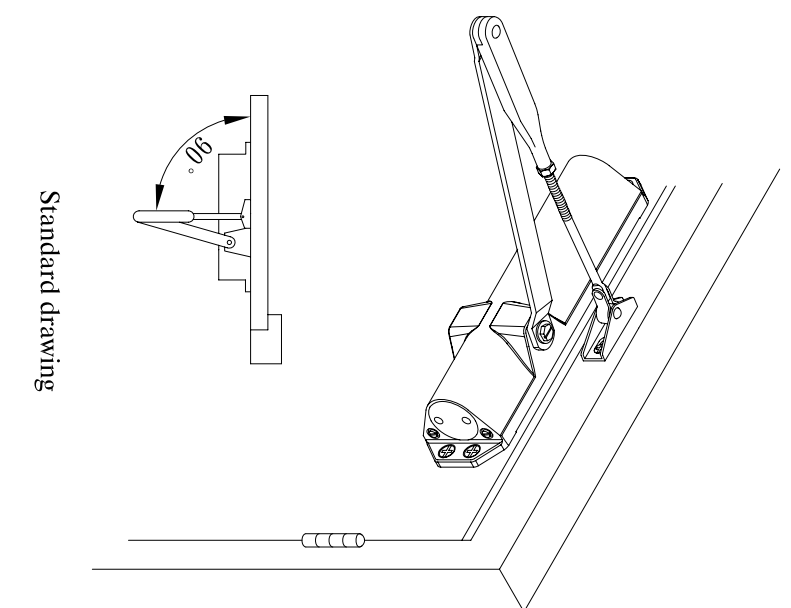
Use template to mark holes for closer body and arm pivot bracket

2



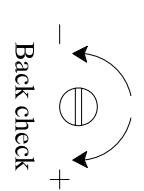
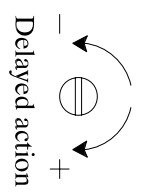
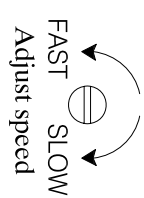
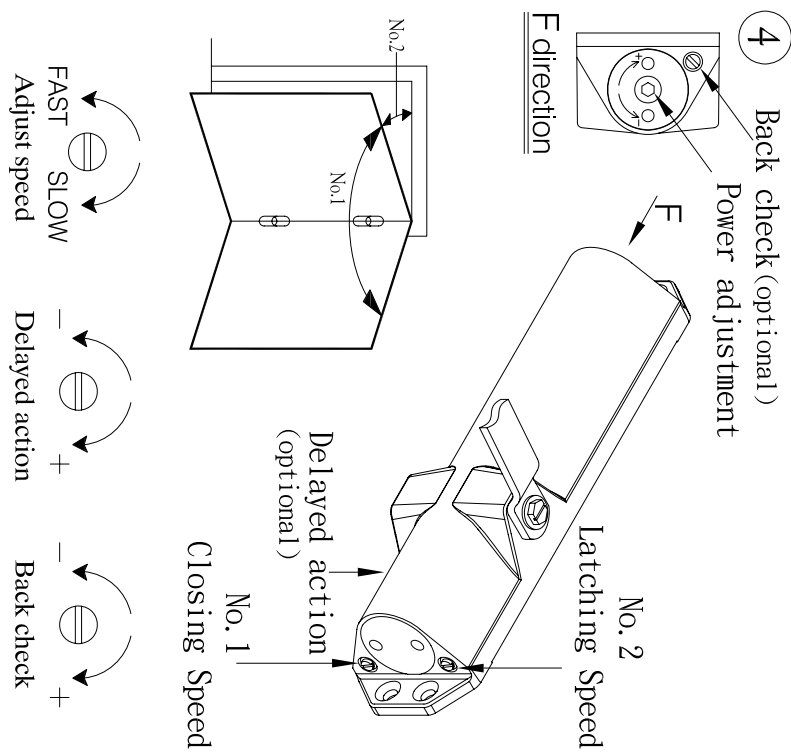
Arm pivot bracket assembly into position and fix closer body to the marked holes

3



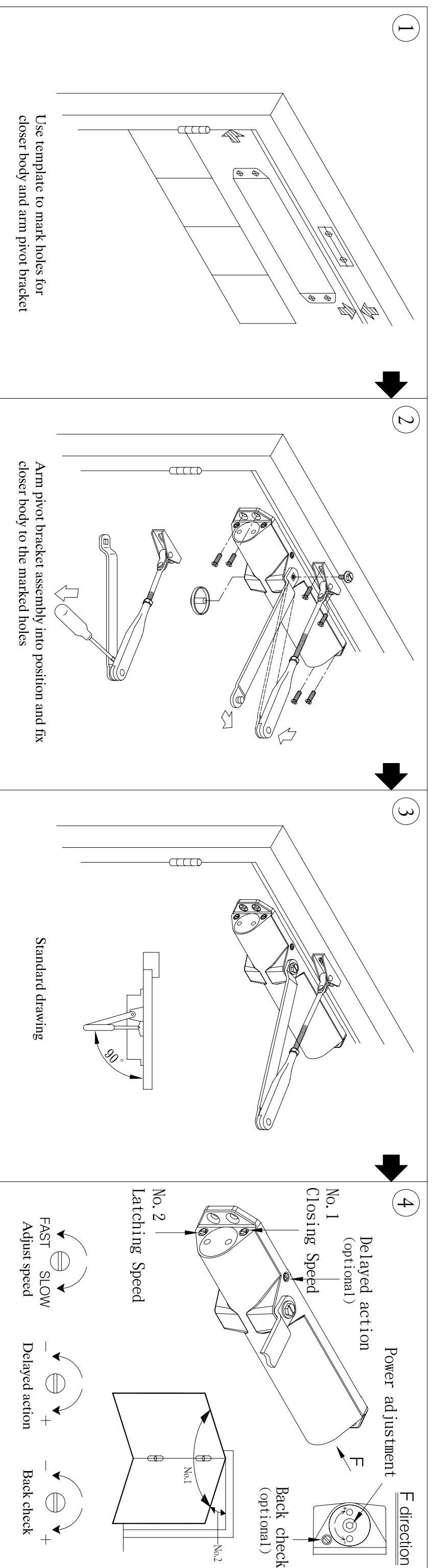
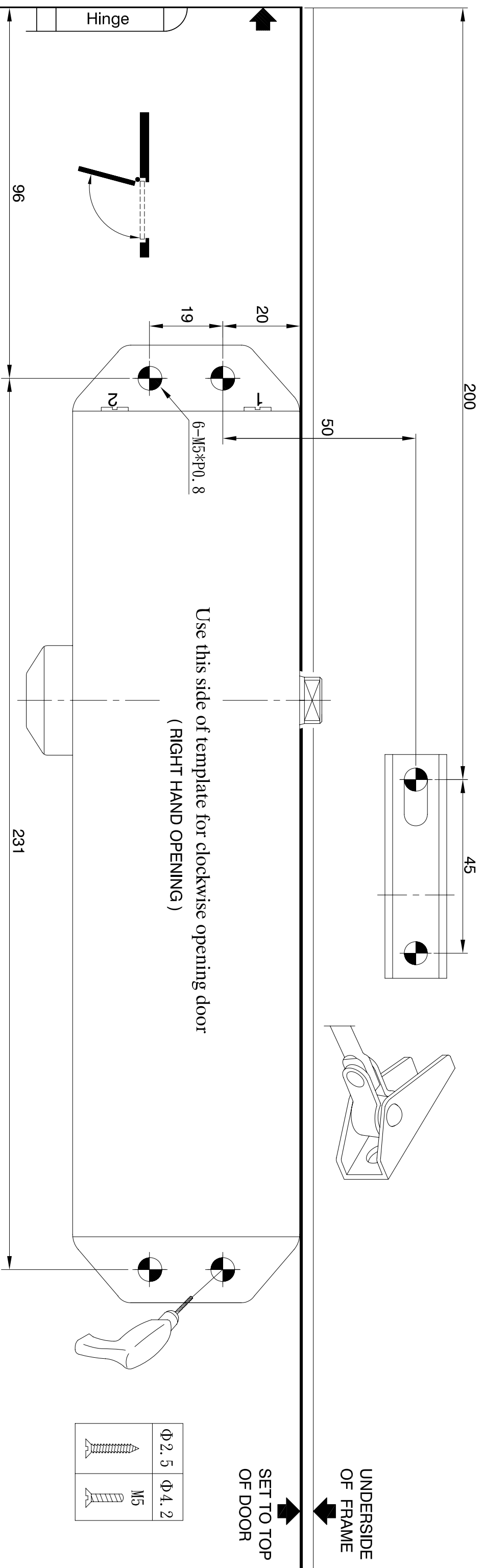
Standard drawing

4



2-5 MODEL	No.of turns	Direction	Size	Max. door width	Max. opening angle
	3	-	2	850mm	180°
	0	*	3	950mm	180°
	3	+	4	1100mm	180°
	8	+	5	1250mm	110°

* : FACTORY PRE-SET



2-5 MODEL	No. of turns	Direction	Size	Max. door width	Max. opening angle
	3	-	2	850mm	180°
	0	*	3	950mm	180°
	3	+	4	1100mm	180°
	8	+	5	1250mm	110°

* : FACTORY PRE-SET