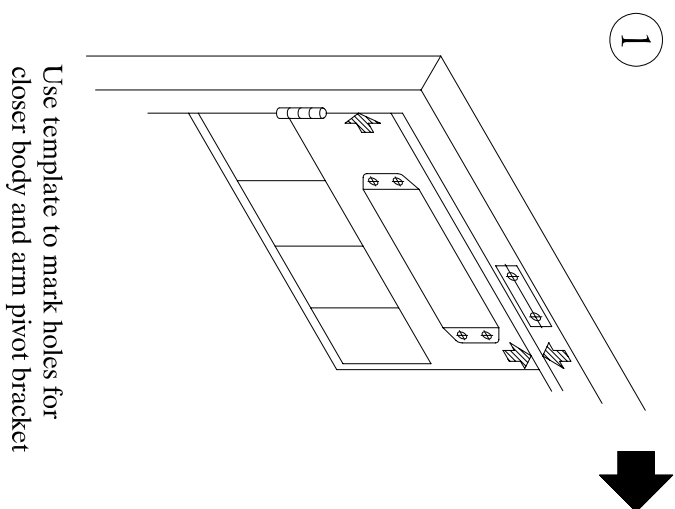
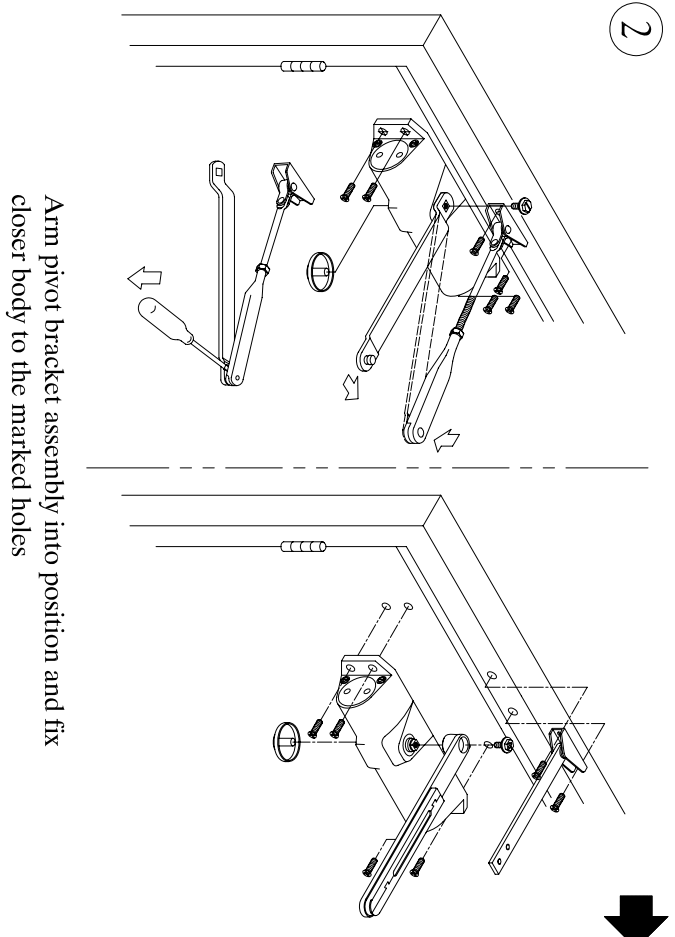


1



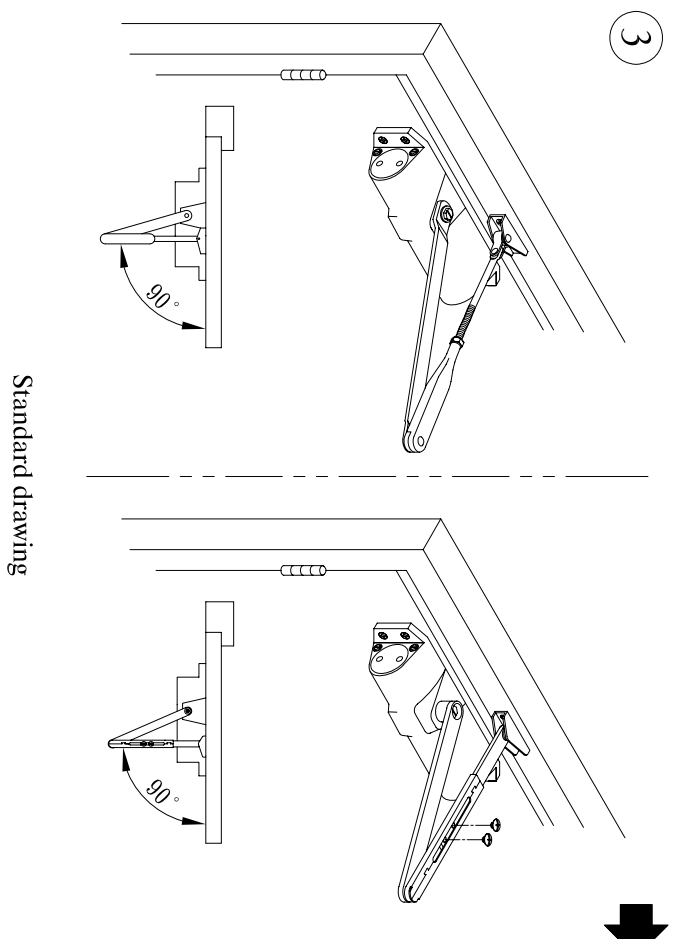
Use template to mark holes for closer body and arm pivot bracket

2



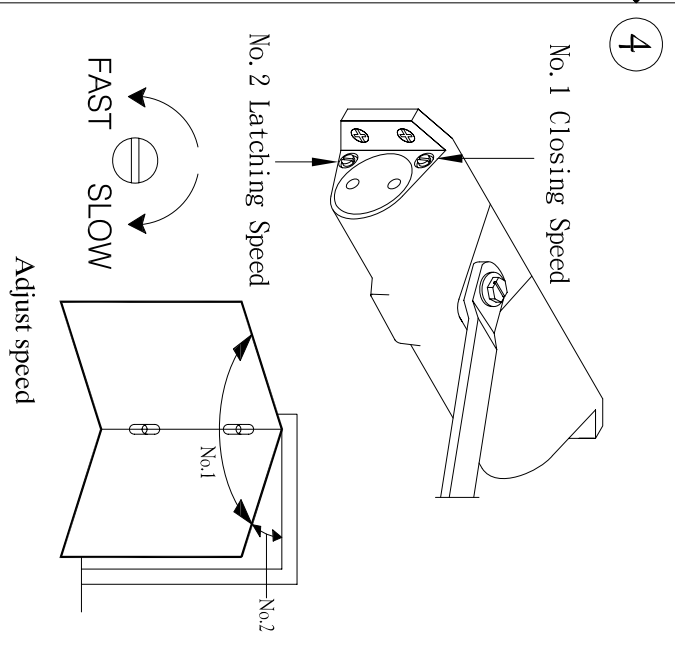
Arm pivot bracket assembly into position and fix closer body to the marked holes

3



Standard drawing

4

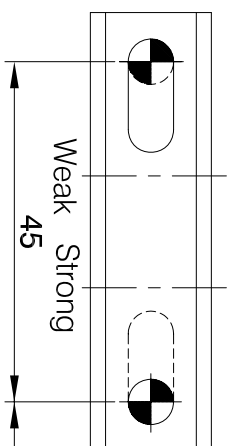


No. 1 Closing Speed
No. 2 Latching Speed
FAST SLOW
Adjust speed

UNDERSIDE OF FRAME

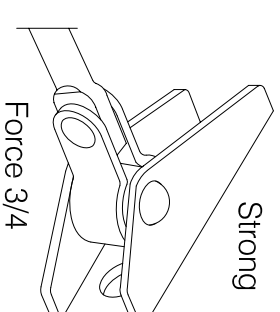
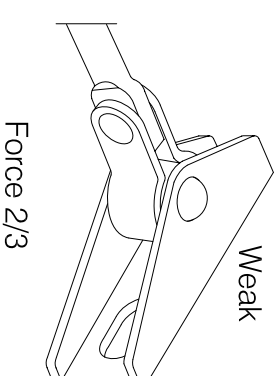
SET TO TOP OF DOOR

UNDERSIDE OF FRAME



100

50

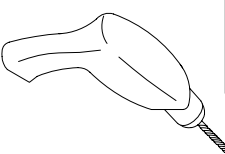
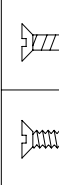


SET TO TOP OF DOOR

Φ4.2

Φ2.5

M5



Use this side of template for anti-clockwise opening door (LEFT HAND OPENING)

203

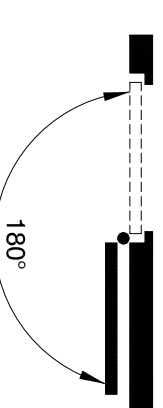
6-M5*P0.8

19

20

80mm (Force 2/3, max. 180°)

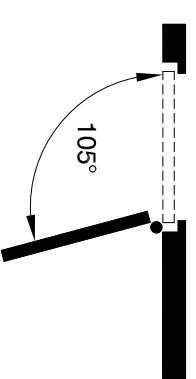
Door width ≤ 950mm



Hinge

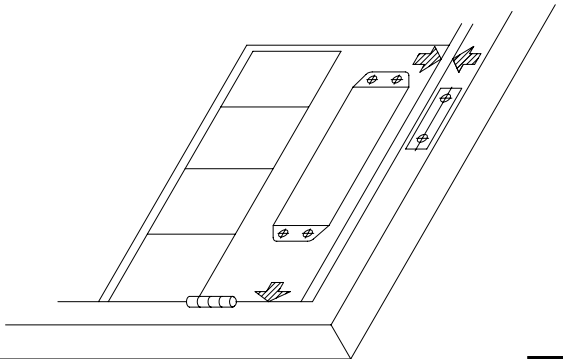
165mm (Force 3/4, max. 105°)

Door width ≤ 1100mm



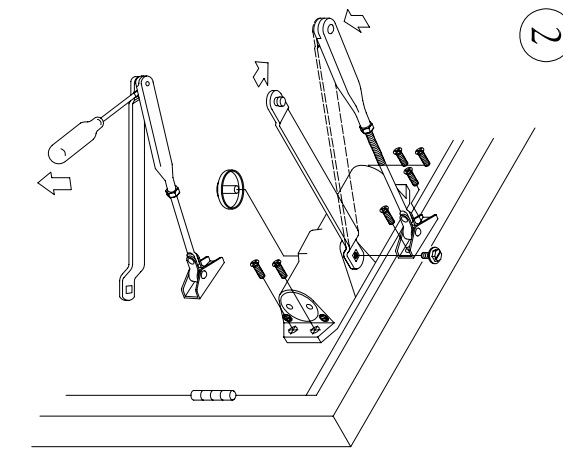
Hinge

1



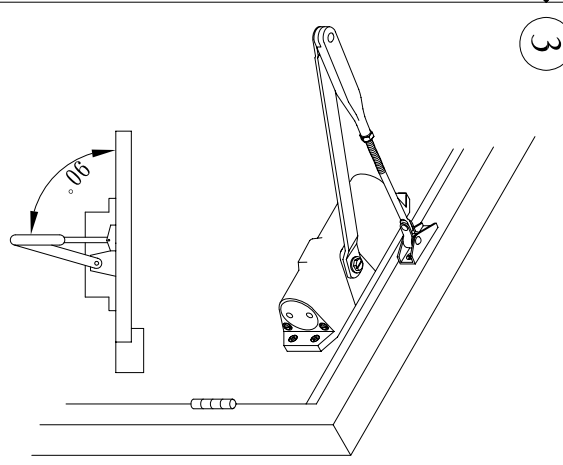
Use template to mark holes for closer body and arm pivot bracket

2



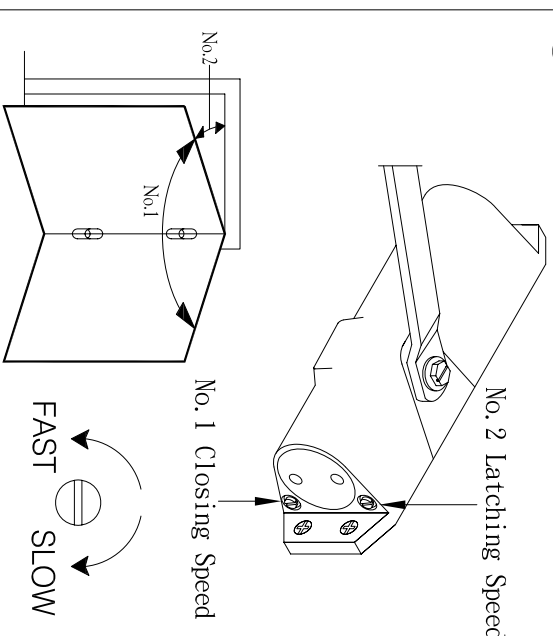
Arm pivot bracket assembly into position and fix closer body to the marked holes

3



Standard drawing

4



Adjust speed

No. 2 Latching Speed

No. 1 Closing Speed

FAST SLOW